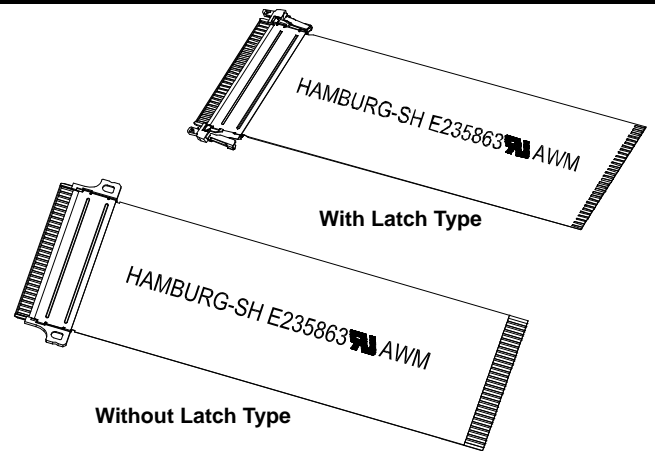


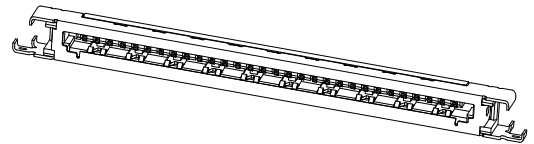
H&V LVDS CONNECTOR ---- LVDS Series (With LVDS FFC)
LVDS Pitch1.0mm FFC

1. 30Pin
2. LVDS FFC Thickness: 0.60mm
3. Mates With: LVDS-L00 Series Connector
4. Shielded Type (EMI Solution)
5. Operation: With / Without Latch Type

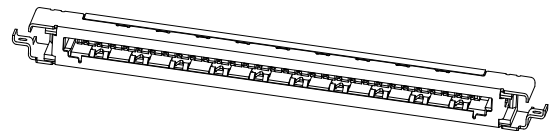
H30 Series:	Tin Plating
G30 Series:	Gold Plating
S30 Series:	Tin Plating ; Halogen-Free
V30 Series:	Gold Plating ; Halogen-Free


LVDS-L00 (Top Mount)

1. Pitch 1.00mm,30Pin
2. SMT Type (With Holder)
3. Dim.: 40.00 L x 3.40 W x 2.30 H mm
4. LVDS Thickness: 0.60mm
5. Operation: Horizontal, Top Contact Type
6. Mates With: LVDS Pitch1.0mm FFC
7. With Latch Type


LVDS-L00 (Middle Mount)

1. Pitch 1.00mm,30Pin
2. SMT Type (With Holder)
3. Dim.: 40.00 L x 3.40 W x 2.30 H mm
4. LVDS Thickness: 0.60mm
5. Operation: Horizontal, Top Contact Type
6. Mates With: LVDS Pitch1.0mm FFC
7. With Latch Type


LVDS-L00 (Bottom Mount)

1. Pitch 1.00mm,30Pin
2. SMT Type (With Holder)
3. Dim.: 40.00 L x 3.40 W x 2.30 H mm
4. LVDS Thickness: 0.60mm
5. Operation: Horizontal, Top Contact Type
6. Mates With: LVDS Pitch1.0mm FFC
7. With Latch Type

