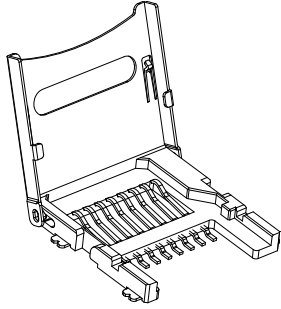
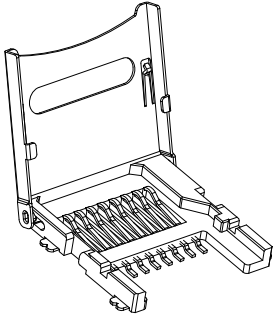
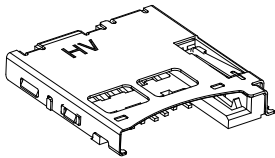
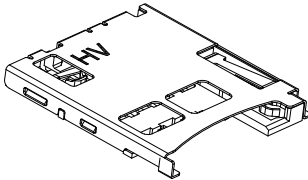
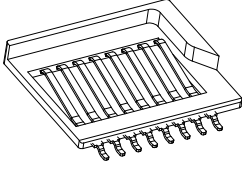
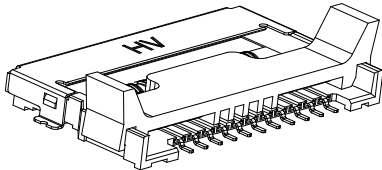
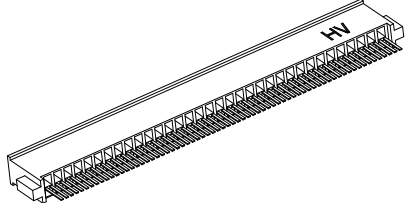


H&V MEMORY CARD CONNECTOR ---- MCA Series

<p>MCA-T01 ---- MICRO SD CARD CONNECTOR</p> <div style="text-align: center; margin: 10px 0;">  </div> <ol style="list-style-type: none"> 1. 8 pin 2. SMT Type (without post) 3. Metal Cover: Hinge Type 4. Dim.: 13.60L x 13.30W x 1.85H mm 	<p>MCA-T06 ---- MICRO SD CARD CONNECTOR</p> <div style="text-align: center; margin: 10px 0;">  </div> <ol style="list-style-type: none"> 1. 8 pin 2. SMT Type (without post) 3. Metal Cover: Hinge Type 4. Dim.: 13.60L x 13.30W x 1.85H mm 	
<p>MCA-T02 ---- MICRO SD CARD CONNECTOR</p> <div style="text-align: center; margin: 10px 0;">  </div> <ol style="list-style-type: none"> 1. 8 pin 2. SMT Type (without post) 3. Push Push Type 4. Dim.: 14.00L x 15.20W x 1.88H mm 	<p>MCA-T03 ---- MICRO SD CARD CONNECTOR</p> <div style="text-align: center; margin: 10px 0;">  </div> <ol style="list-style-type: none"> 1. 8 pin 2. SMT Type (without post) 3. Push Push Type 4. Blade Switch: Normally Open 5. Dim.: 13.80L x 16.00W x 1.80H mm 	<p>MCA-T07 ---- MICRO SD CARD CONNECTOR</p> <div style="text-align: center; margin: 10px 0;">  </div> <ol style="list-style-type: none"> 1. 8 pin 2. SMT Type (with post) 3. Dim.: 8.80L x 11.00W x 1.50H mm
<p>MCA-S01 ---- MINI SD CARD CONNECTOR</p> <div style="text-align: center; margin: 10px 0;">  </div> <ol style="list-style-type: none"> 1. 11 pin 2. SMT Type (post optional) 3. Dim.: 21.90L x 13.15W x 2.20/2.40H mm 	<p>MCA-P01 ---- PCMCIA CONNECTOR</p> <div style="text-align: center; margin: 10px 0;">  </div> <ol style="list-style-type: none"> 1. 68 pin 2. SMT Type (offset 0.30mm) 3. Grounding Lug Optional 4. Dim.: 46.50L x 6.00W x 3.30H mm 	