

EMV & NDS Compliant

TECHNICAL CHARACTERISTICS

1. General Characteristics

Dimension: 62.00L x 40.00W x 6.25H mm

Weight: Approx. 6.4 g

Contact principle: Friction technology

Operating position: Shaft up / Down / Horizontal

Mounting System: Thru-Hole with snap-in lock

Durability: 100,000 cycles min.

2. Mechanical Characteristics

Insulation material: Thermoplastic, UL 94V-0

RoHS Directive 2011/65/EU Compliant

3. Electrical Characteristics

Number of contacts: 8 pins

Contact resistance: 50 mΩ typical, 100 mΩ max.

Insulation resistance: >1000 MΩ / 500 VDC

Switch type: Blade

Operation: Normally Open or Close

4. Solderability

Wave: 260°C, 5 sec. Max.

IR reflow: Not applicable

Manual soldering: 360°C, 3 sec. Max.

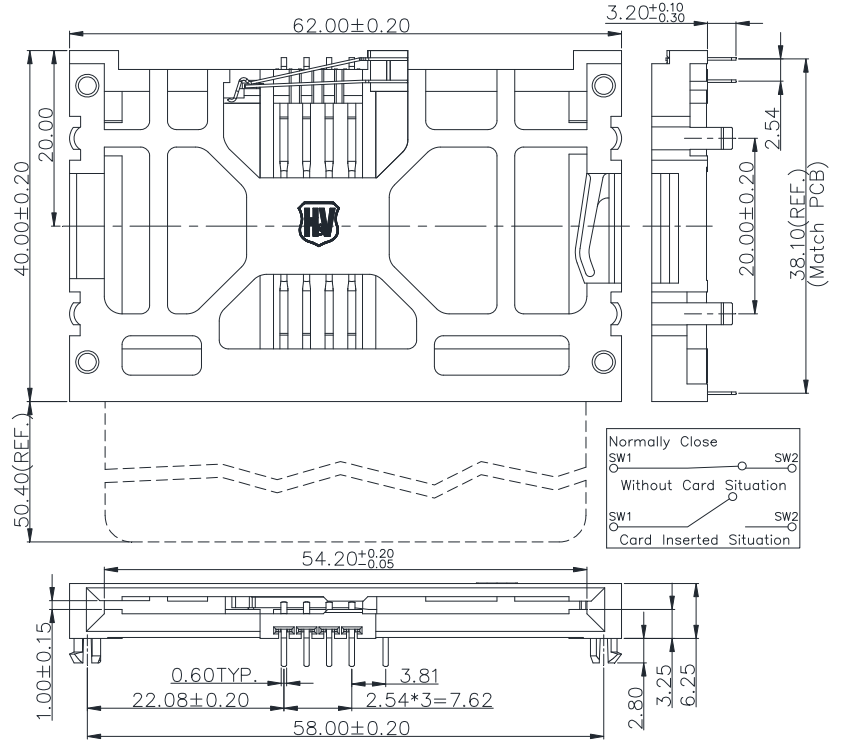
5. Environmental Characteristics

Operating temperature: - 40°C ~ + 85°C

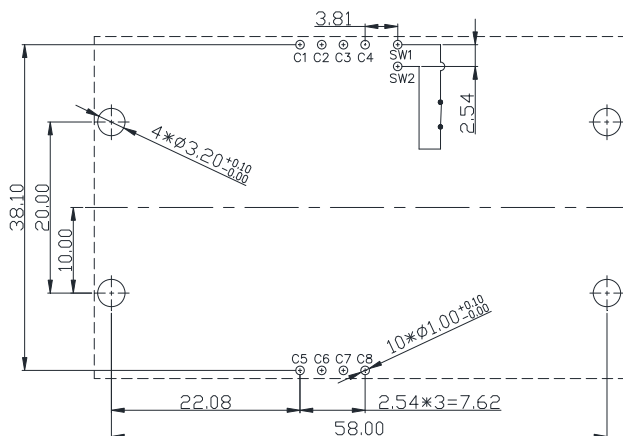
Operating humidity: 10 % ~ 95 % RH

Storage temperature: - 40°C ~ + 85°C

Storage humidity: 10 % ~ 95 % RH



Unit: mm; Tolerances: ±0.15 mm
Mechanical outline dimension



Unit: mm; Tolerances: ±0.05 mm
Reference dimension for PCB layout

H&V Smart Card Acceptor

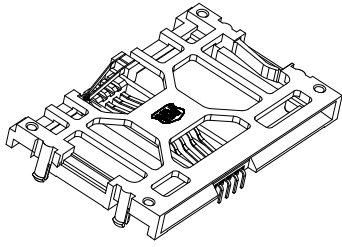
Model No.: ICA-609 Type2 NC

Revision: 1.9

Date: JUL. 22, 2015

For further information, please contact:

Tel: +886 2 2662 8882(Rep.) Fax: +886 2 2662 7201~2 E-mail: taipei@hamburg.com.tw URL: <http://www.hamburg.com.tw>



EMV & NDS Compliant

TECHNICAL CHARACTERISTICS

1. General Characteristics

Dimension: 62.00L x 40.00W x 6.25H mm

Weight: Approx. 6.4 g

Contact principle: Friction technology

Operating position: Shaft up / Down / Horizontal

Mounting System: Thru-Hole with snap-in lock

Durability: 100,000 cycles min.

2. Mechanical Characteristics

Insulation material: Thermoplastic, UL 94V-0

RoHS Directive 2011/65/EU Compliant

3. Electrical Characteristics

Number of contacts: 8 pins

Contact resistance: 50 mΩ typical, 100 mΩ max.

Insulation resistance: >1000 MΩ / 500 VDC

Switch type: Blade

Operation: Normally Open or Close

4. Solderability

Wave: 260°C, 5 sec. Max.

IR reflow: Not applicable

Manual soldering: 360°C, 3 sec. Max.

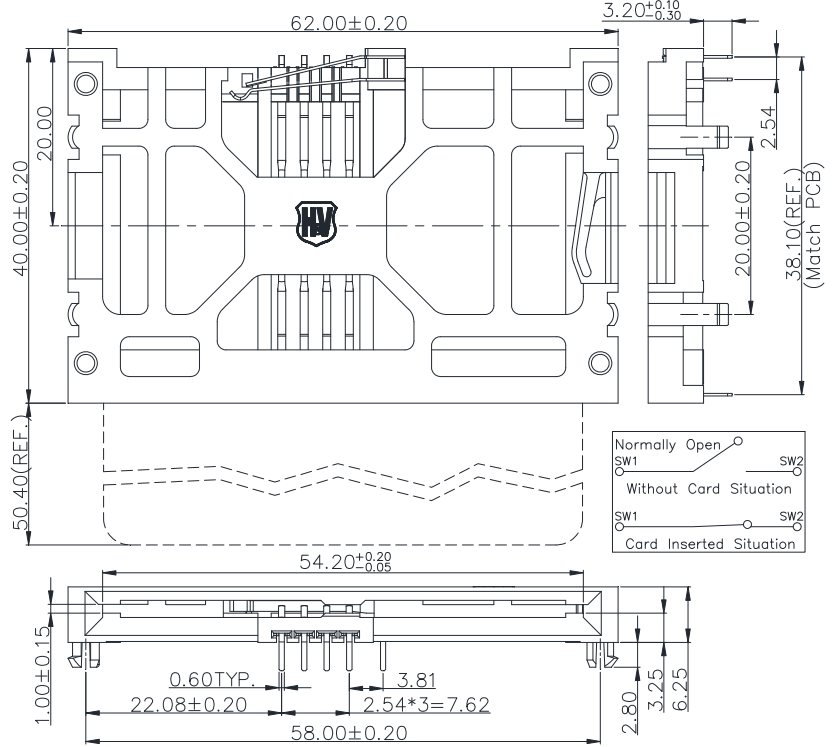
5. Environmental Characteristics

Operating temperature: - 40°C ~ + 85°C

Operating humidity: 10 % ~ 95 % RH

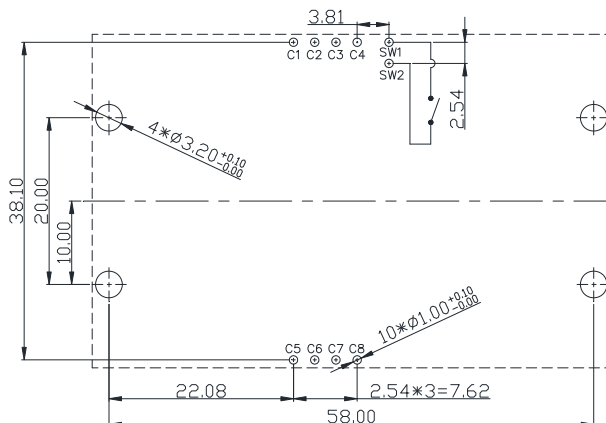
Storage temperature: - 40°C ~ + 85°C

Storage humidity: 10 % ~ 95 % RH



Unit: mm; Tolerances: ±0.15 mm

Mechanical outline dimension



Unit: mm; Tolerances: ±0.05 mm

Reference dimension for PCB layout

H&V Smart Card Acceptor

Model No.: ICA-609 Type2 NO

Revision: 1.9

Date: JUL. 22, 2015