

## TECHNICAL CHARACTERISTICS

### 1. General Characteristics

Dimensions: 11.70L x 8.40W x 3.00H mm  
11.70L x 8.40W x 4.50H mm

Weight: Approx. 0.28 g

Contact principle: Friction technology

Operating position: Shaft up / Down / Horizontal

Mounting System: SMT Type (without post)

Durability: 5,000 cycles min.

### 2. Mechanical Characteristics

Insulation material: Thermoplastic, UL 94V-0  
RoHS Directive 2011/65/EU Compliant

### 3. Electrical Characteristics

Number of contacts: 6, 8 pins (optional)

Contact resistance: 50 mΩ typical, 100 mΩ max.

Insulation resistance: >1000 MΩ / 500 VDC

### 4. Solderability

Wave: Not applicable

IR reflow: 260°C, 10 sec. Max.

Manual soldering: 360°C, 3 sec. Max.

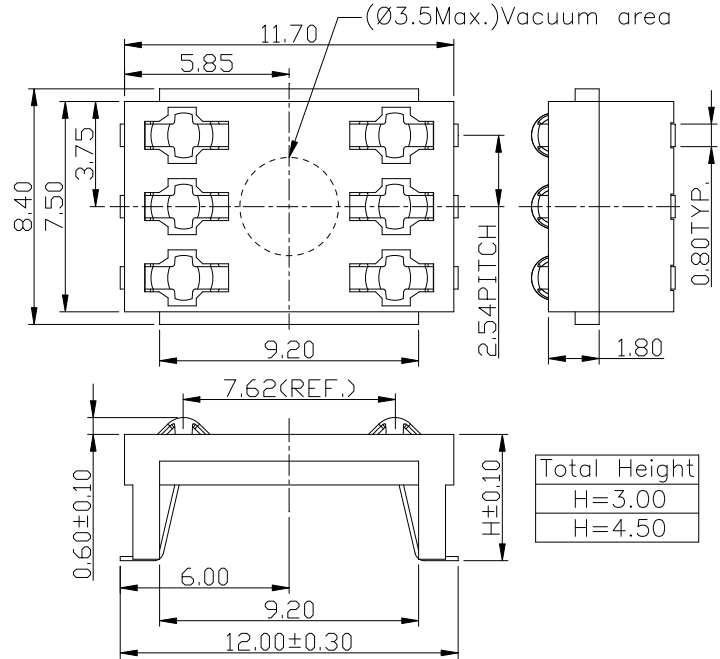
### 5. Environmental Characteristics

Operating temperature: - 40°C ~ + 85°C

Operating humidity: 10 % ~ 95 % RH

Storage temperature: - 40°C ~ + 85°C

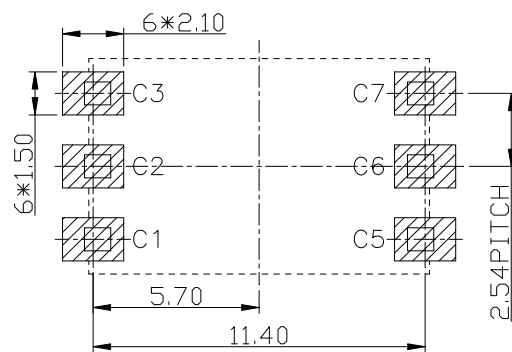
Storage humidity: 10 % ~ 95 % RH



Recommend card slot height: 1.0 mm

Unit: mm; Tolerances: ±0.15 mm

**Mechanical outline dimension**



Unit: mm; Tolerances: ±0.05 mm

**Reference dimension for PCB layout**

H&V Smart Card Connector

Model No.: ICC-408 6Pin

Revision: 1.4

Date: MAY 01, 2014

Note:

1. Coplanarity of solder pins 0.10mm max.

2. Recommended thickness of solder paste > 0.15mm.