

EMV Compliant

TECHNICAL CHARACTERISTICS

1. General Characteristics

Dimension: 55.50L x 40.00W x 5.80H mm
 Weight: Approx. 11.75 g
 Contact principle: Landing technology
 Operating position: Shaft up / Down / Horizontal
 Mounting System: DIP or SMT Type (with post)
 Durability: 500,000 cycles min.

2. Mechanical Characteristics

Insulation material: Thermoplastic, UL 94V-0
 RoHS Directive 2011/65/EU Compliant

3. Electrical Characteristics

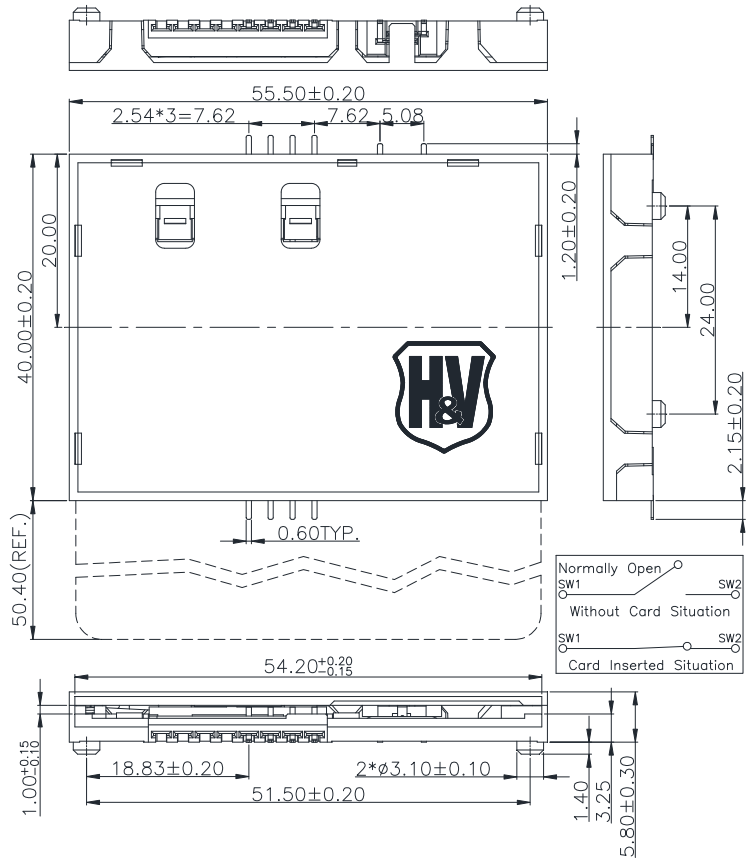
Number of contacts: 8 pins
 Contact resistance: 50 mΩ typical, 100 mΩ max.
 Insulation resistance: >1000 MΩ / 500 VDC
 Switch type: Blade
 Operation: Normally Open

4. Solderability

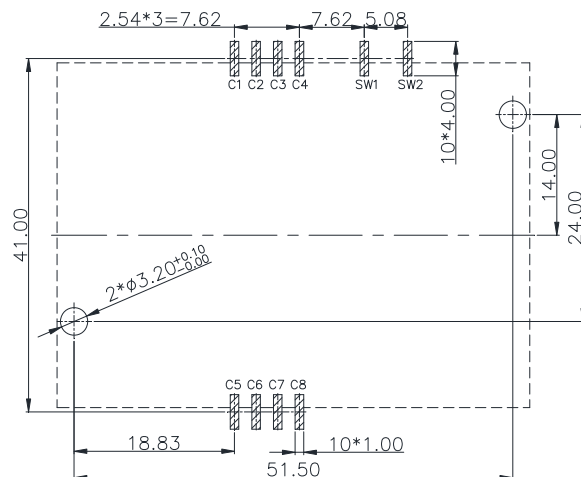
Wave: Not applicable
 IR reflow: 260°C, 10 sec. Max.
 Manual soldering: 360°C, 3 sec. Max.

5. Environmental Characteristics

Operating temperature: - 40°C ~ + 85°C
 Operating humidity: 10 % ~ 95 % RH
 Storage temperature: - 40°C ~ + 85°C
 Storage humidity: 10 % ~ 95 % RH



Unit: mm; Tolerances: ±0.15 mm
Mechanical outline dimension



Unit: mm; Tolerances: ±0.05 mm
Reference dimension for PCB layout

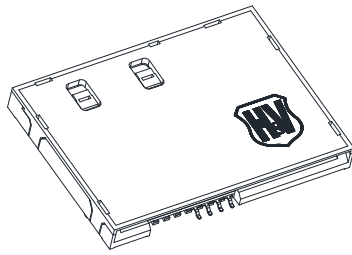
H&V Smart Card Acceptor

Model No.: ICA-703 SMT

Revision: 1.6 **Date: NOV. 27, 2014**

Note:

1. Coplanarity of solder pins 0.10mm max.
2. Recommended thickness of solder paste > 0.15mm.



EMV Compliant

TECHNICAL CHARACTERISTICS

1. General Characteristics

Dimension: 55.50L x 40.00W x 5.80H mm
Weight: Approx. 11.75 g
Contact principle: Landing technology
Operating position: Shaft up / Down / Horizontal
Mounting System: DIP or SMT Type (with post)
Durability: 500,000 cycles min.

2. Mechanical Characteristics

Insulation material: Thermoplastic, UL 94V-0
RoHS Directive 2011/65/EU Compliant

3. Electrical Characteristics

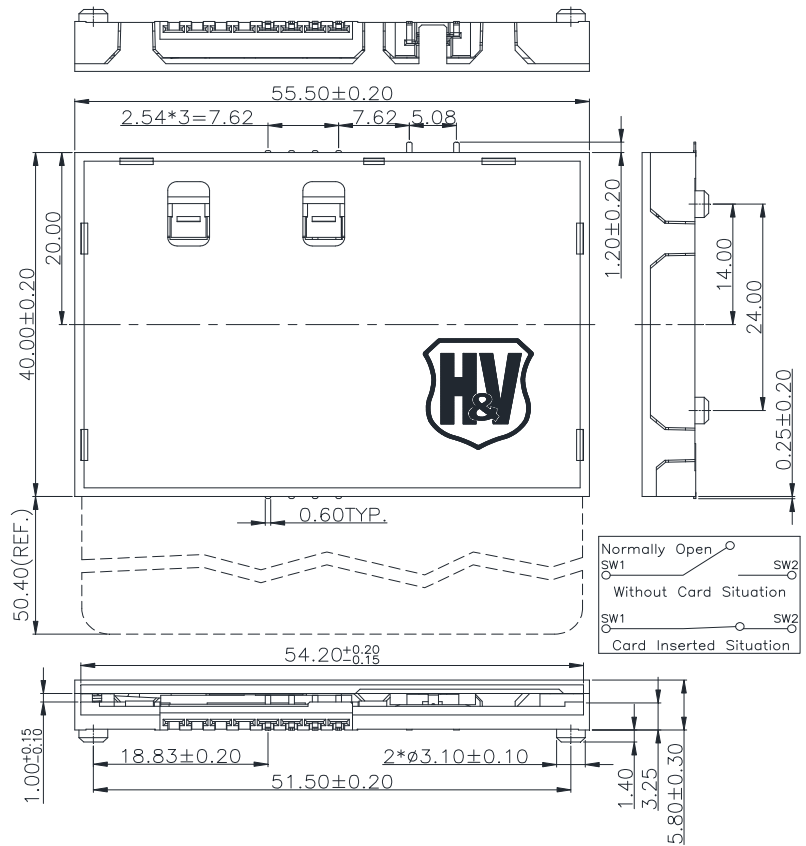
Number of contacts: 8 pins
Contact resistance: 50 mΩ typical, 100 mΩ max.
Insulation resistance: >1000 MΩ / 500 VDC
Switch type: Blade
Operation: Normally Open

4. Solderability

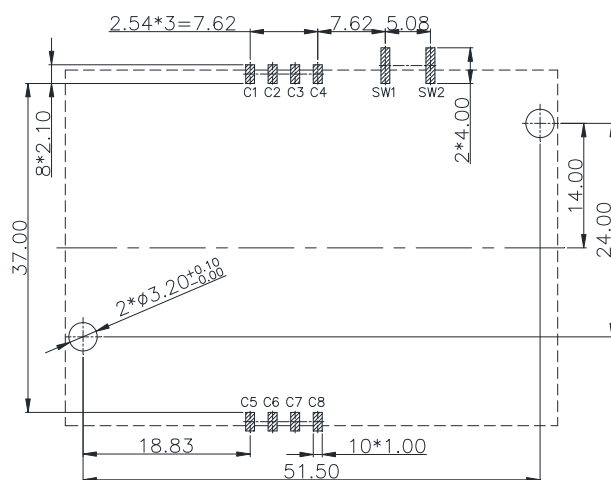
Wave: Not applicable
IR reflow: 260°C, 10 sec. Max.
Manual soldering: 360°C, 3 sec. Max.

5. Environmental Characteristics

Operating temperature: - 40°C ~ + 85°C
Operating humidity: 10 % ~ 95 % RH
Storage temperature: - 40°C ~ + 85°C
Storage humidity: 10 % ~ 95 % RH



Unit: mm; Tolerances: ±0.15 mm
Mechanical outline dimension



Unit: mm; Tolerances: ±0.05 mm
Reference dimension for PCB layout

H&V Smart Card Acceptor

Model No.: ICA-703 SMT Short Pin

Revision: 1.6 **Date: NOV. 27, 2014**

Note:

1. Coplanarity of solder pins 0.10mm max.
2. Recommended thickness of solder paste > 0.15mm.

For further information, please contact:

Tel: +886 2 2662 8882(Rep.) Fax: +886 2 2662 7201~2 E-mail: taipei@hamburg.com.tw URL: <http://www.hamburg.com.tw>